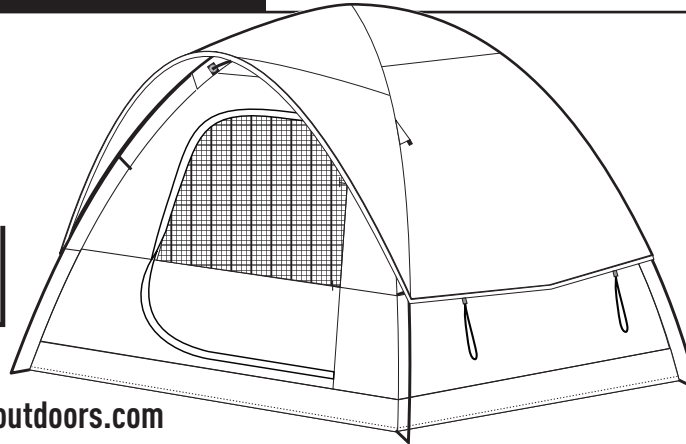




INSTRUCTIONS

BACKROADZ[®] SUV TENT MODEL 19100

BEFORE YOU BEGIN



For set up video, please visit www.napieroutdoors.com

CAMPSITE SELECTION

- Select a smooth, level campsite clear of rocks, branches, and other hard or sharp objects
- Avoid areas with overhead power lines and tree limbs
- Park the vehicle in the chosen campsite
- Turn the engine off and engage the parking brake

HOW TO STORE

1. Clean and dry the tent
2. Fold all of the components into the tent
3. Roll the tent, using the pole bag as a guide
4. Secure with the tent tie straps and insert into the carrying bag
5. Store in a cool, dry place

WARRANTY INFORMATION

Napier tents have a one (1) year warranty period from the time of purchase against defects in improper workmanship. Normal wear and tear, seam leakage through needle holes, and improper use, abuse, or alteration are not covered under the warranty policy. Napier Outdoors will replace or repair defective parts. Replacement parts may be new or re-built at Napier's sole discretion. E-Warranty claim forms can be completed online at www.napieroutdoors.com/warranty. Proof of purchase (receipt) must be provided. If you do not provide proof of purchase, or if your warranty period has ended, replacement parts can be purchased.

To order replacement parts, contact Napier Outdoors at 800-567-2434 (9:00 am – 5:00 pm EST), visit www.napieroutdoors.com, or email customerservice@napieroutdoors.com

CAUTION

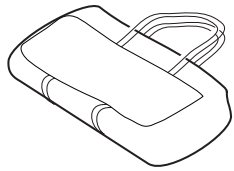
- Do not use candles, matches, or open flames of any kind in or near the tent
- Do not cook inside the tent
- Build campfires downwind and several meters away from the tent. Be sure to fully extinguish fires before leaving a campsite or before retiring for the night
- Exercise extreme caution when using fuel-powered lanterns or heaters inside or around the tent. Use battery-operated lanterns whenever possible
- Do not refuel lamps, heaters, or stoves inside the tent
- Extinguish or turn off all lanterns before going to sleep
- Do not smoke inside the tent
- Do not store flammable liquids inside the tent
- NEVER run the vehicle engine when the tent is attached
- Do not install the tent when the temperature is below 0°C/32°F or when your vehicle is wet, it may cause damage
- Allow adequate ventilation inside the tent at all times
- Do not attempt to drive the vehicle with the tent attached
- Disconnect the battery or turn off the door lamps' so that they do not stay on when the hatch is open. This will reduce the risk of battery drainage.
- To prevent carbon monoxide from entering the vehicle and tent area, do not run the engine, do not cook inside the tent, and do not use a gas heater in the tent. Carbon monoxide is dangerous to your health.
- Engine must be off and exhaust must be fully cooled before tent installation and use.

⚠️ WARNING

Keep all flame and heat sources away from the tent fabric. The tent is made with flame-resistant fabric which meets CPAI-84 specifications. This does not make it fireproof. The fabric will burn if left in contact with any flame source. The application of any foreign substance to the tent fabric may render the flame-resistant properties ineffective.

PACKAGE CONTENTS

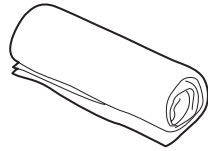
Remove contents from the bag and ensure you have all components listed below.



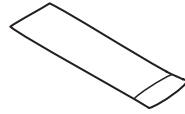
TENT BAG



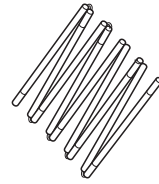
TENT TIE STRAPS (2)



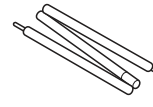
TENT



POLE BAG



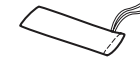
TENT POLES (2)
2 x FIBERGLASS (263")



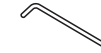
RAINFLY POLE (1)
1 x FIBERGLASS (75")



RAINFLY



STAKE BAG



STAKES (17)

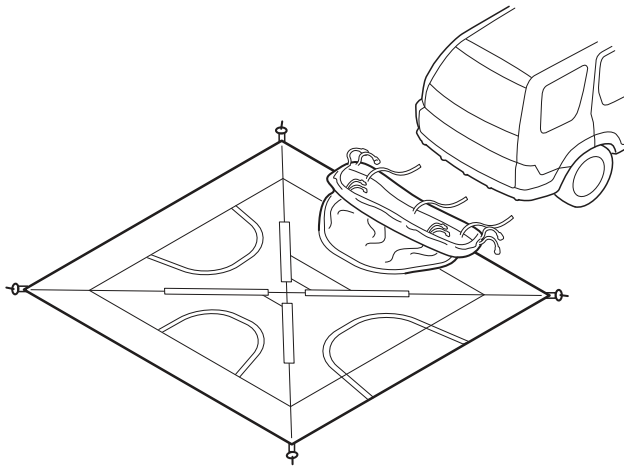


GUY LINES (4)

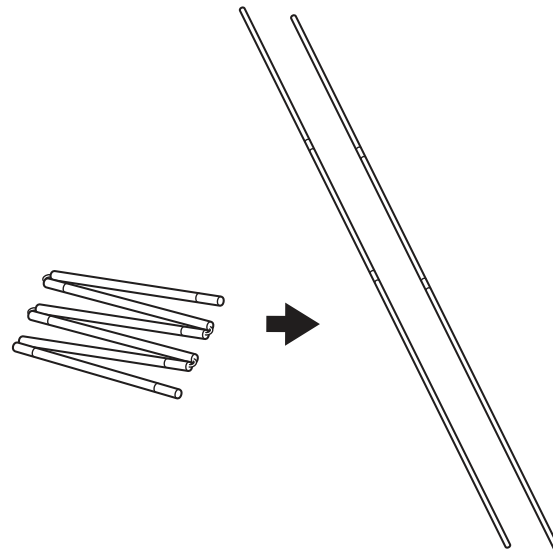
If you are missing parts, please contact Napier Outdoors at 800-567-2434 | Monday - Friday or email customerservice@napieroutdoors.com

TENT SET UP

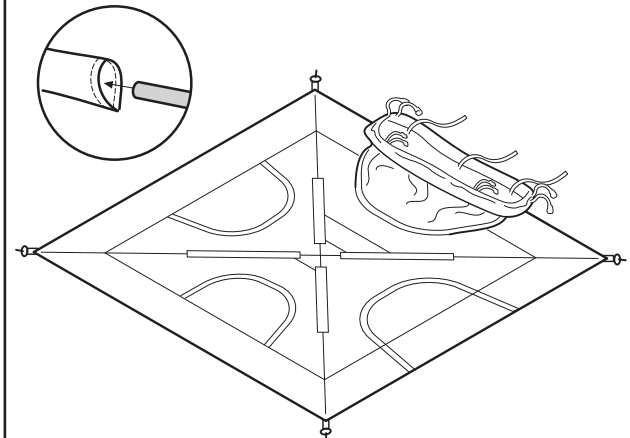
- 1 Lay out the tent with the vehicle sleeve facing the cargo area of your vehicle.



- 2 Assemble the tent poles by unfolding each section.

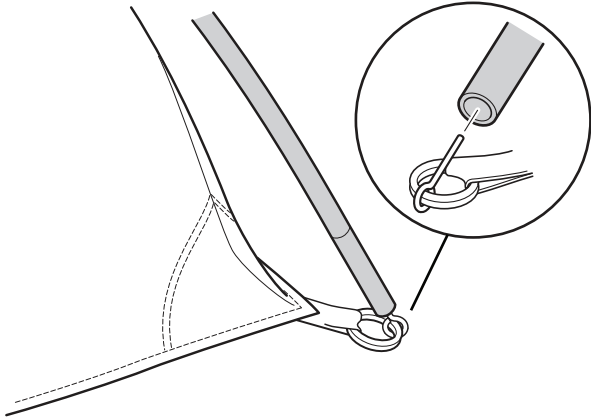


- 3 Locate the tent poles and insert diagonally into the pole sleeves. The center of the poles should cross and form an X.

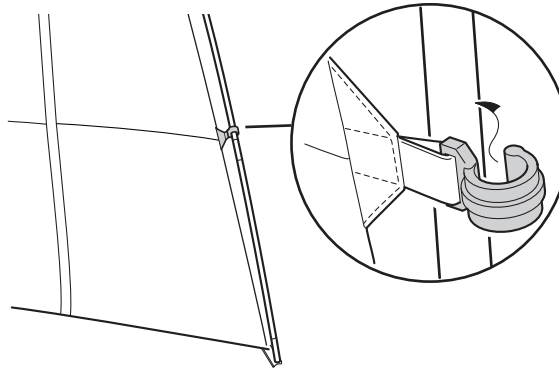


NOTE: The poles may get stuck in the pole sleeve. Do not force the pole - gently lead it through the fabric sleeve.

- 4 Insert one end of the pole into the pin located in the corner of the tent. Go to the opposite end of the pole and gradually apply pressure to the pole, forming an arch until you are able to insert the pin into the pole end. Repeat for the second pole.



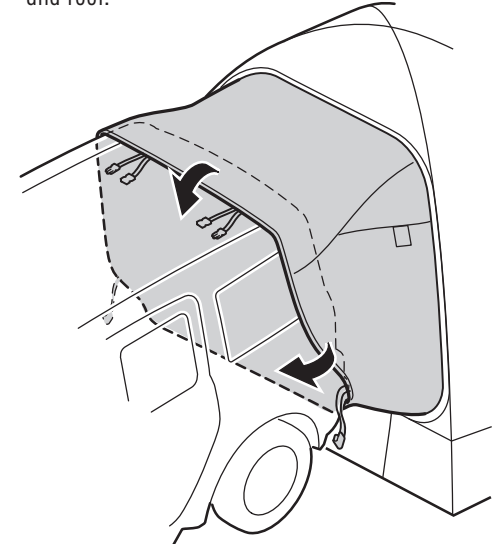
- 5 Attach the pole clips found on the tent to the poles.



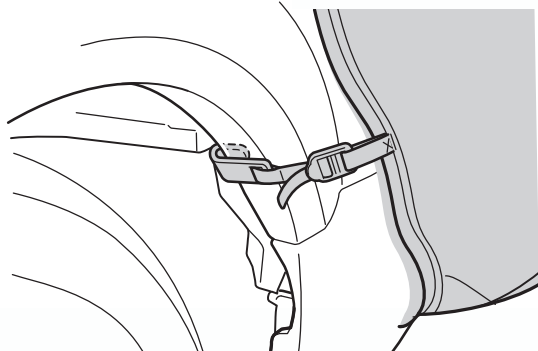
- 6 From inside the tent, unzip the door and mesh that faces the vehicle cargo area. Roll up the mesh and door and secure with T-straps.

- 7 Open the back hatch of your vehicle.

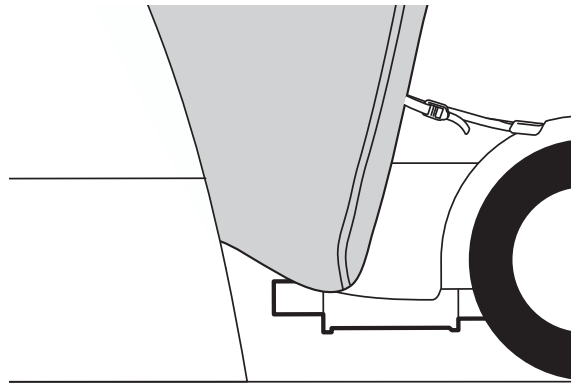
- 8 Move the tent towards the cargo area of your vehicle. Slip the sleeve under the bumper and over the hatch and roof.



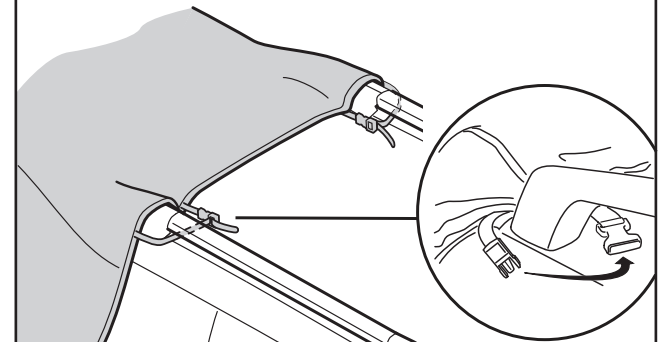
- 9 Outside the tent, attach the following straps:
A. Hook the bottom outside straps to any part of the wheel well and tighten (1 per side).
NOTE: If applicable, ensure the exhaust pipe is outside of the sleeve. Allow the engine and vehicle's exhaust to fully cool before installing or using the tent.



- B. Tighten the bumper straps on either side of the vehicle sleeve.

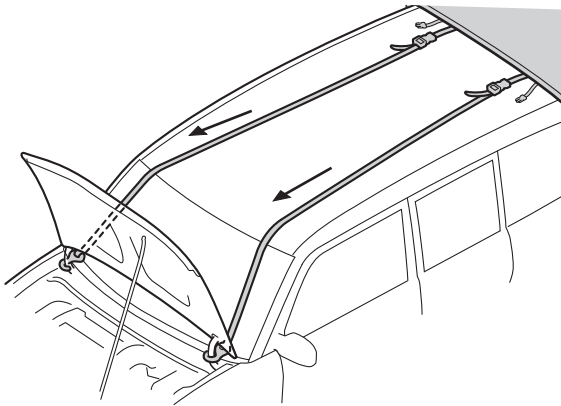


- 10 A. WITH A ROOF RACK
Remove the long strap from female clip. Attach the 2 short straps around the roof rack and tighten. Repeat on the opposite side.

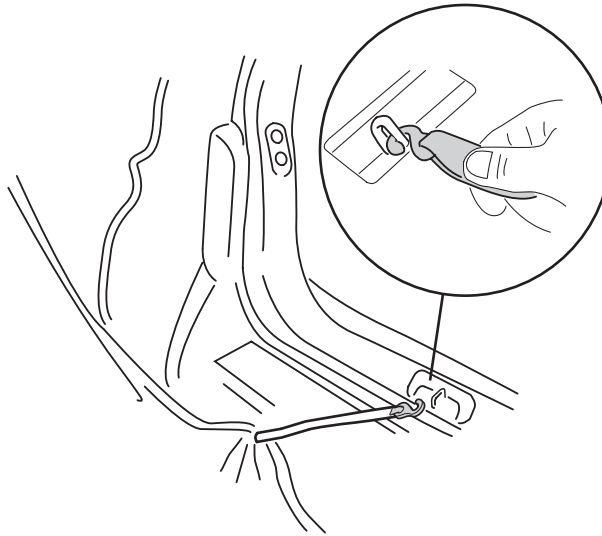


B. WITHOUT A ROOF RACK

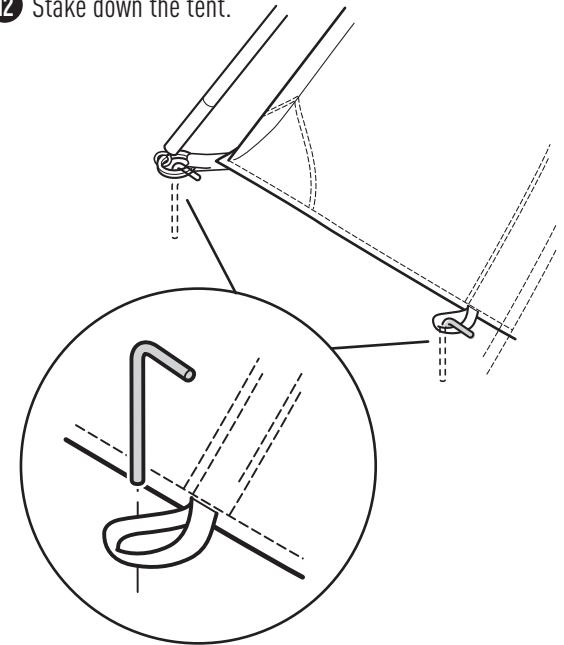
Extend the long straps to the front of the vehicle. Open the hood and attach the strap hooks to the hood hinge or frame. Tighten the straps.



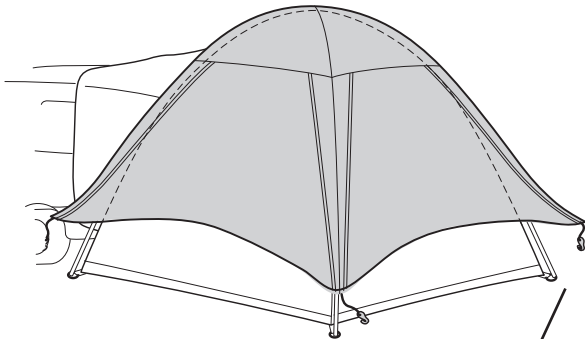
- 11 Inside the tent, locate the center strap by the bumper and attach the strap hook to the tailgate latch.



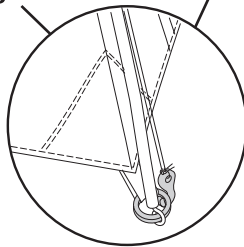
- 12 Stake down the tent.



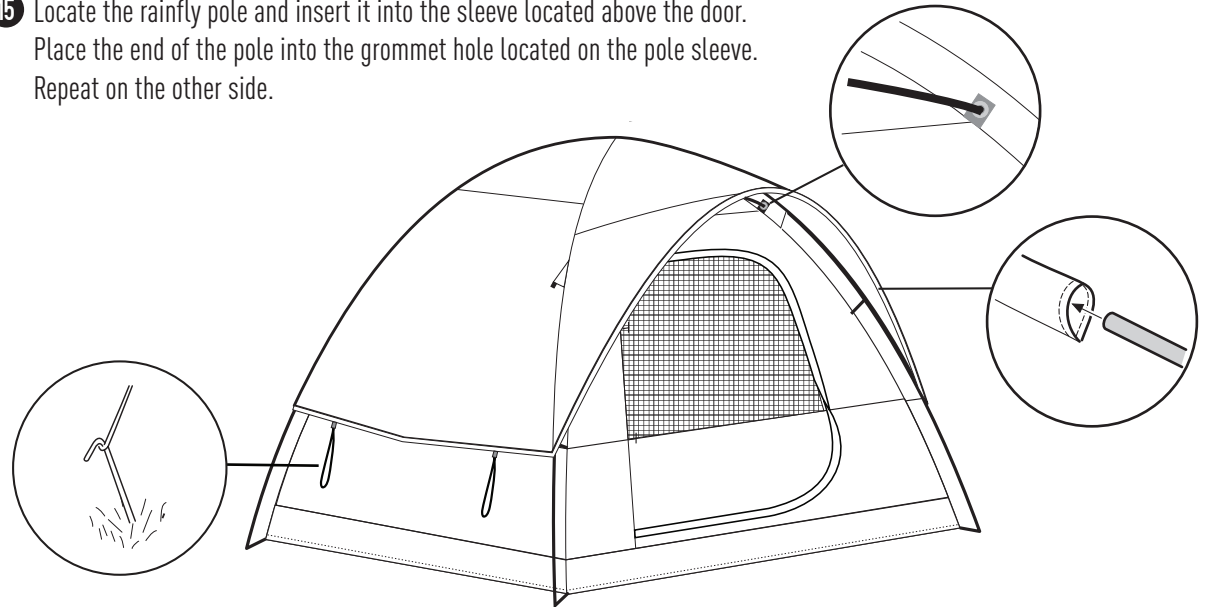
- 13 Drape the rainfly over the tent. The side that says "Vehicle Side" goes towards the vehicle.



- 14 Connect the hooks found at the rainfly corners to the rings located at the end of the stake loop (at the corners of the tent). Secure the Velcro tabs around the pole.



- 15 Locate the rainfly pole and insert it into the sleeve located above the door. Place the end of the pole into the grommet hole located on the pole sleeve. Repeat on the other side.



- 16 Stake the rainfly guy lines to the ground.