



INSTRUCTIONS

LITE PACK MODEL 91200

BEFORE YOU BEGIN



CAMPSITE SELECTION

- Select a smooth, level campsite clear of rocks, branches, and other hard or sharp objects
- Avoid areas with overhead power lines and tree limbs

HOW TO STORE

1. Clean and dry the tent
2. Fold all of the components into the tent
3. Roll the tent, using the pole bag as a guide
4. Secure with the tent tie straps and insert into the carrying bag
5. Store in a cool, dry place

CAUTION

- Do not use candles, matches, or open flames of any kind in or near the tent
- Do not cook inside the tent
- Build campfires downwind and several meters away from the tent. Be sure to fully extinguish fires before leaving a campsite or before retiring for the night
- Exercise extreme caution when using fuel-powered lanterns or heaters inside or around the tent. Use battery-operated lanterns whenever possible
- Do not refuel lamps, heaters, or stoves inside the tent
- Extinguish or turn off all lanterns before going to sleep
- Do not smoke inside the tent
- Do not store flammable liquids inside the tent
- Allow adequate ventilation inside the tent at all times

WARRANTY INFORMATION

Napier tents have a one (1) year warranty period from the time of purchase against defects in improper workmanship. Normal wear and tear, seam leakage through needle holes, and improper use, abuse, or alteration are not covered under the warranty policy. Napier Outdoors will replace or repair defective parts. Replacement parts may be new or re-built at Napier's sole discretion. E-Warranty claim forms can be completed online at www.napieroutdoors.com/warranty. Proof of purchase (receipt) must be provided. If you do not provide proof of purchase, or if your warranty period has ended, replacement parts can be purchased.

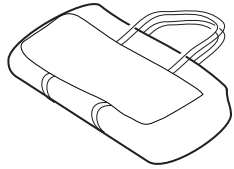
To order replacement parts, contact Napier Outdoors at 1-800-567-2434 (9:00am – 5:00pm EST), visit www.napieroutdoors.com, or email customerservice@napieroutdoors.com

WARNING

Keep all flame and heat sources away from the tent fabric. The tent is made with flame-resistant fabric which meets CPAI-84 specifications. This does not make it fireproof. The fabric will burn if left in contact with any flame source. The application of any foreign substance to the tent fabric may render the flame-resistant properties ineffective.

PACKAGE CONTENTS

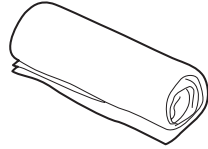
Remove contents from the bag and ensure you have all components listed below.



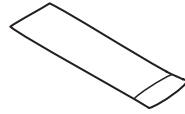
TENT BAG



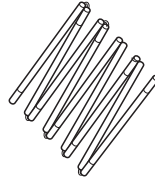
TENT TIE STRAPS (2)



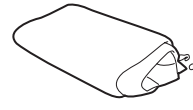
TENT



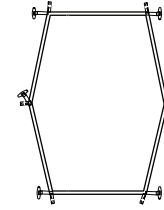
POLE BAG



TENT POLES (3)
2 x Black / 1 x Gray



RAINFLY



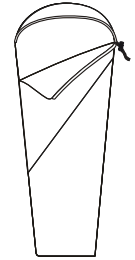
TENT FOOTPRINT



STAKE BAG



STAKES (11)

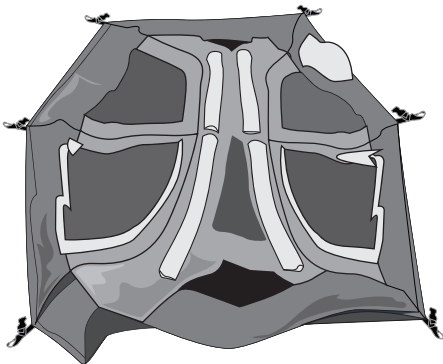


SLEEPING BAGS (2)

If you are missing any parts, please fill out the Napier E-Warranty Claim form at www.napieroutdoors.com/warranty

TENT SET UP

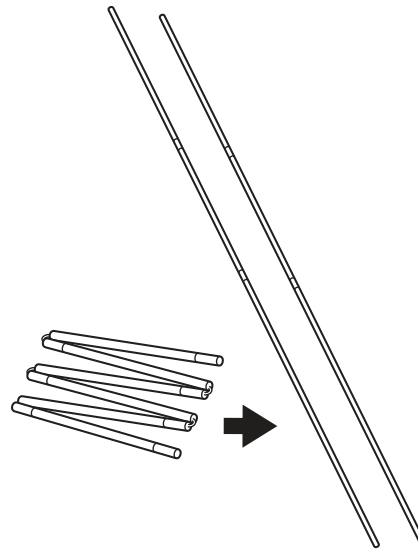
- 1 Lay the tent footprint out on the ground. Unfold and place the tent over top of the footprint.



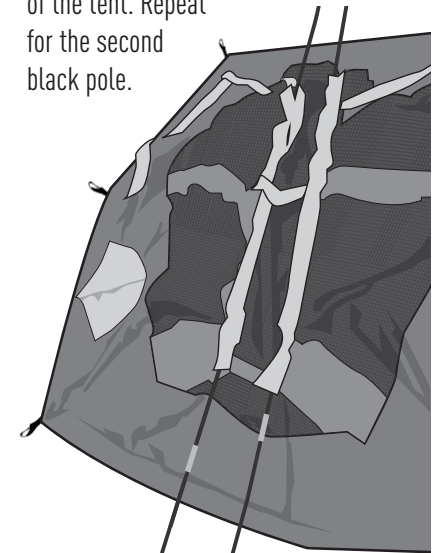
- 2 Attach the footprint to the tent using the toggle straps on each of the six corners.



- 3 Assemble the tent poles by unfolding each section.



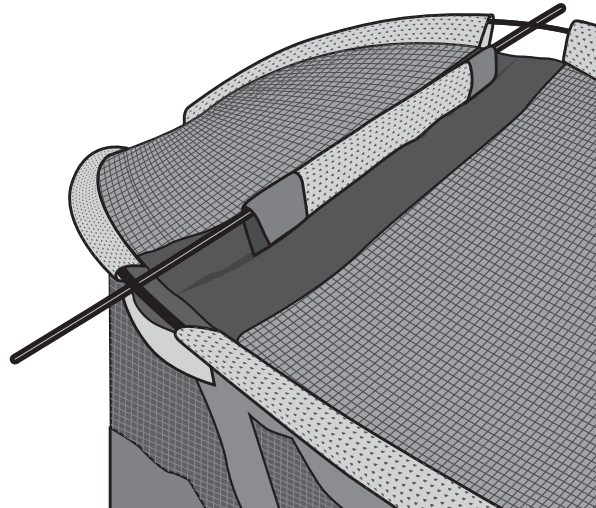
- 4 Insert one black pole through the yellow mesh sleeve located on the roof of the tent. Repeat for the second black pole.



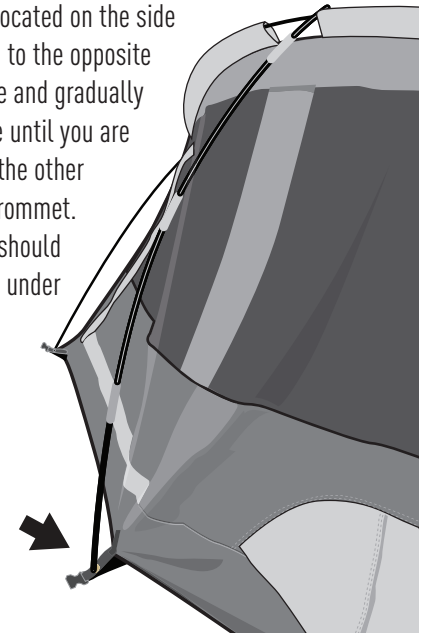
- 5** Insert one end of the black pole into the grommet located on the opposite corner of the tent. Go to the opposite end of the pole and gradually apply pressure to the pole, forming an arch until you are able to insert the end into the grommet. Repeat for the second pole. The two black poles should cross at the front and back of the tent.



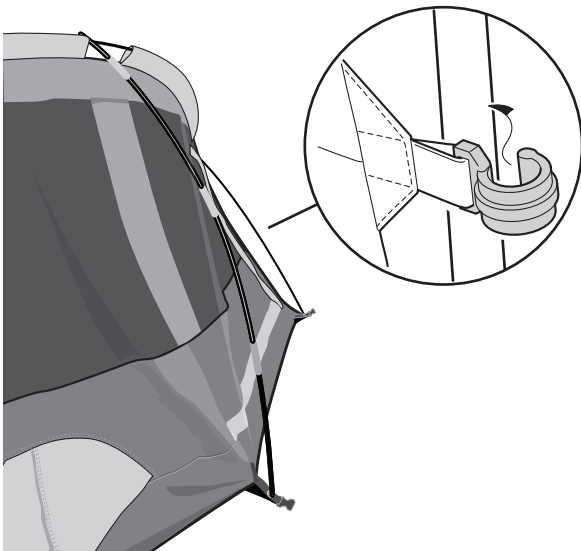
- 6** Insert the gray pole through the yellow mesh pole sleeve located on the roof of the tent.



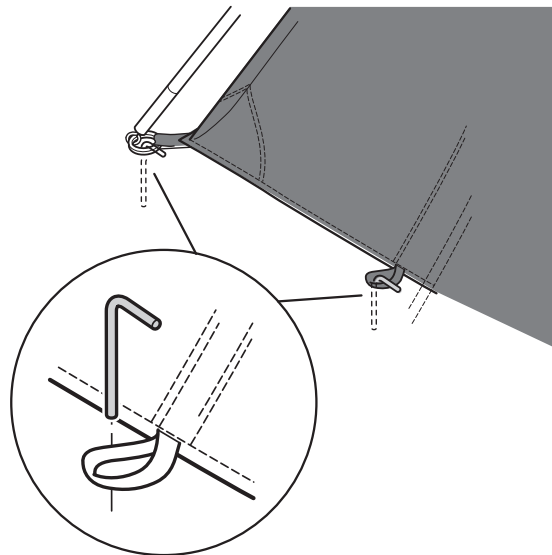
- 7** Insert one end of the gray pole into the grommet located on the side of the tent. Go to the opposite end of the pole and gradually apply pressure until you are able to insert the other end into the grommet. The gray pole should now be set-up under the two black poles.



- 8** Once the tent is standing, attach the pole clips to the tent poles.



- 9** Stake the tent and side vent to the ground through the loops at the bottom of each corner.



- 10** Drape the rainfly over the tent. Attach using the buckles at the bottom of each corner.

